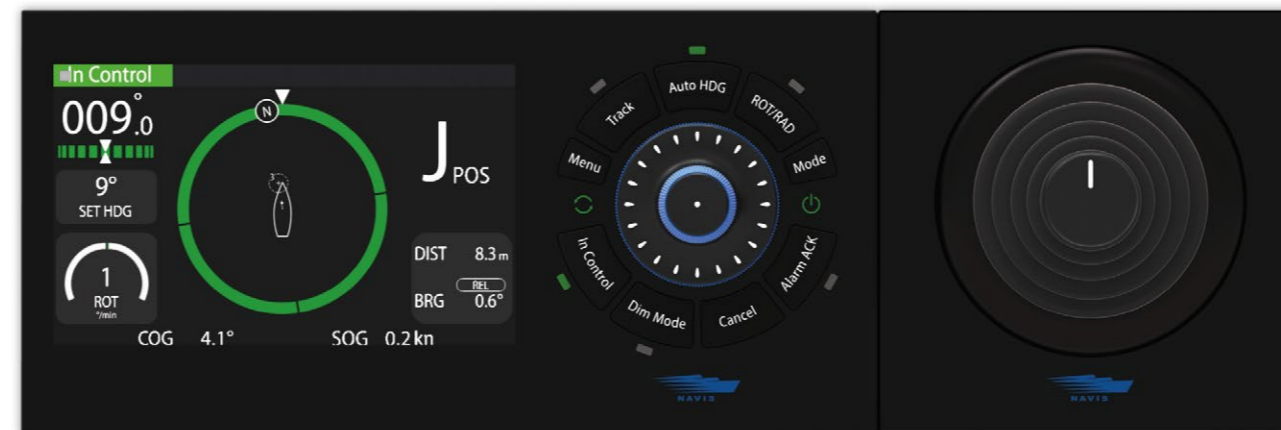




JS5000

Joystick Control System



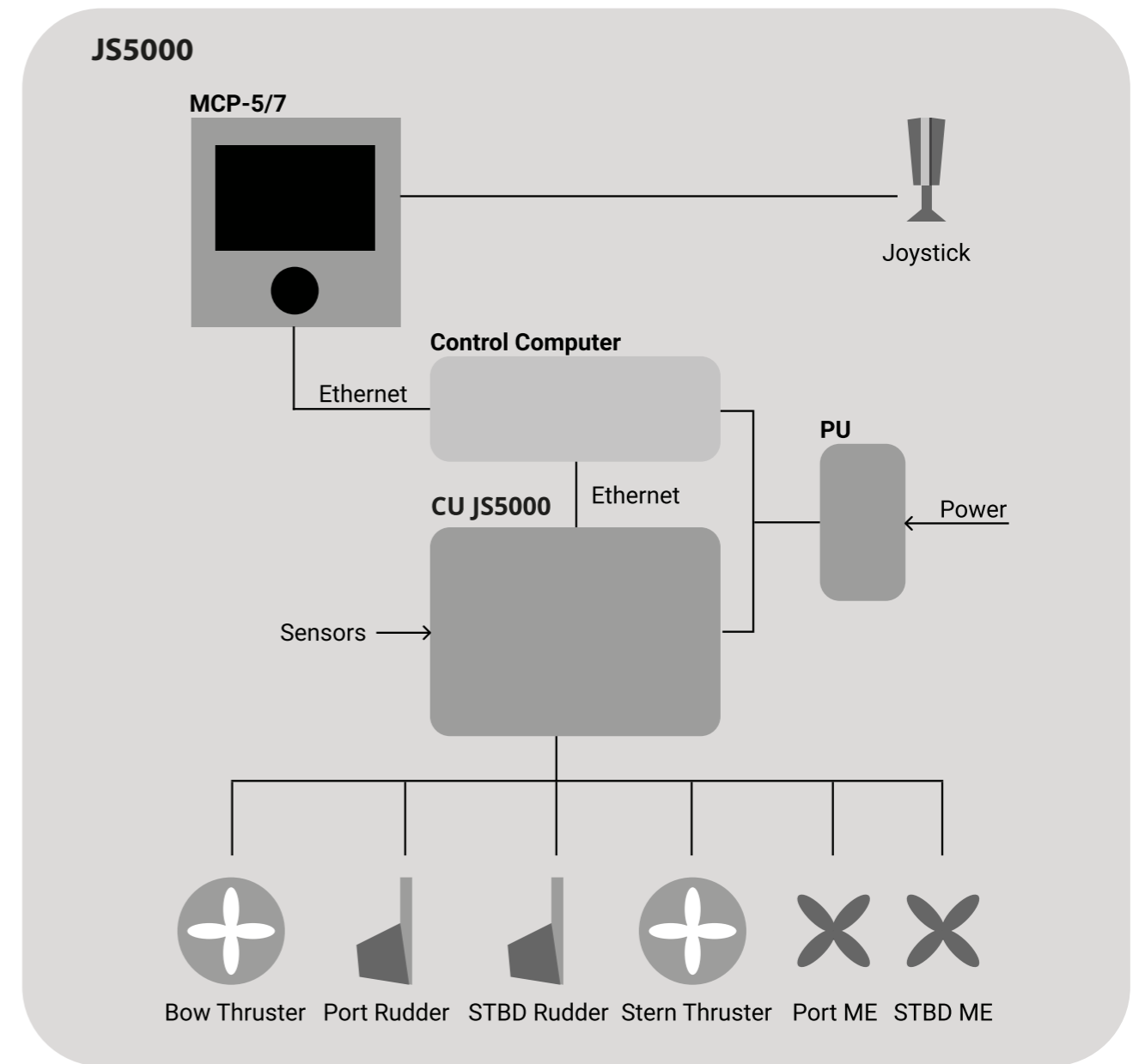
Introduction

Navis JSC, established in 1992, is a recognized expert in ship automation systems and one of the few world experts in dynamic positioning technology. After more than 25 years of scrupulous research and development, we have cultivated a profound understanding of every customer's needs, as well as of market trends in shipbuilding. Our company's mission is to keep our systems as simple and user-friendly as possible, and, at the same time, to preserve the high level of quality and reliability.

Modern technology, combined with the latest achievements in the field of dynamic positioning, make the JS5000 Joystick Control system an ideal solution for your vessel, allowing you to enjoy its maneuverability with high level of safety and easy control of propulsion. System features manual control of engines and thrusters with single joystick as well as automatic position keeping. Despite having same functionality and operation philosophy, JS5000 is not a full scale dynamic positioning system. It is designed to be operated by navigator offering much more simple control comparing to JS5000.



System overview



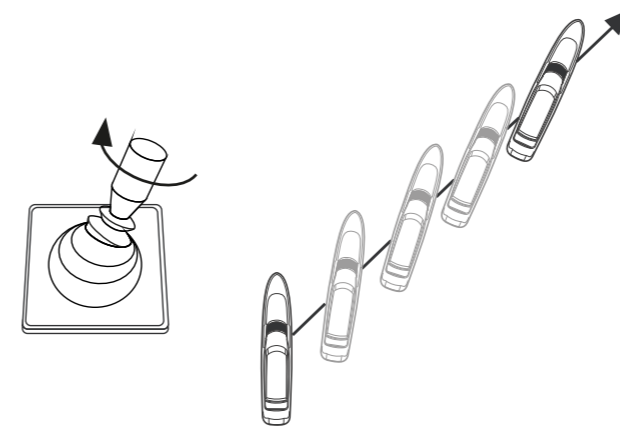
JS5000

The JS5000 is our latest Joystick control system combines comprehensive performance with state-of-the-art design and compact system structure. The system been specifically designed for leisure boats and workboat applications when free maneuvering in limited space is required, to simplify maneuvering control of the boats with complicated propulsion configurations. This achieves by using 3-axis joystick for manual maneuvering and at the same tie with the wide range of automatic functions and modes (such as Auto Heading keeping, Hold Position, Anchor Assist and etc.). Please note that the system is not intended for use on any Dynamic Positioning classed vessel as an approved solution for dynamic positioning. In such a case, the range of Navis JS5000 series products has to be considered.

The control panel has been fully redesigned and JS5000 could be supplied with two versions of control panels based on a 5 or 7 inches high-resolution IPS matrix display. Both types of panels are suitable for open deck installations. Due to the removable top cover glass plate the control panels could be easily mounted under the solid foil or glass bridge console.

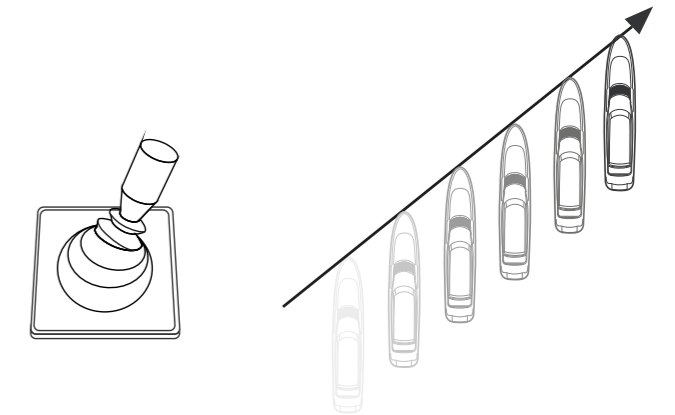


- The system is easy to learn and operate
- Not limited with vessel's displacement and dimensions
- Not limited with propulsion vendor
- Not limited with propulsion type
- Type approved autopilot inside
- Precise ship dynamics algorithms used are among the best in the market
- The system offers extensive functionality with a wide array of options and possibility to develop customized modes and functions suitable to your vessel operations
- Several hardware configurations are available



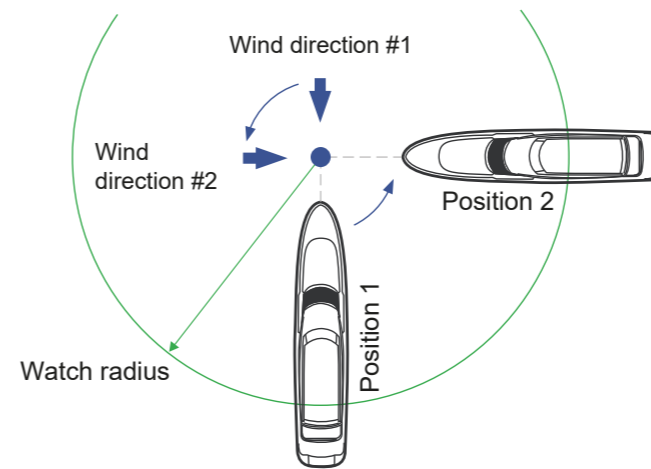
Joystick Manual

The boat follows your commands set by the 3-axis joystick.



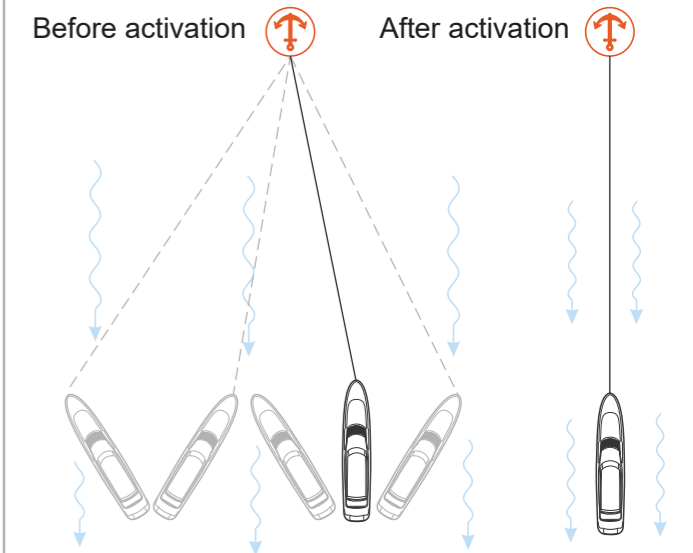
Joystick Heading

The boat follows your commands set by the joystick while the heading is kept automatically.



Joystick Anchor (Option)

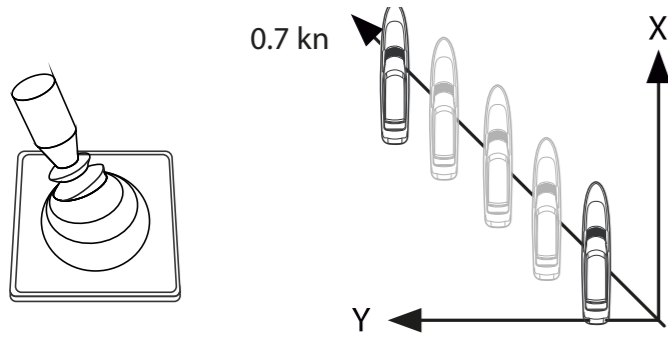
The boat is held on a virtual anchor keeping a set distance from the virtual anchor point.



Anchor Mate (Option)

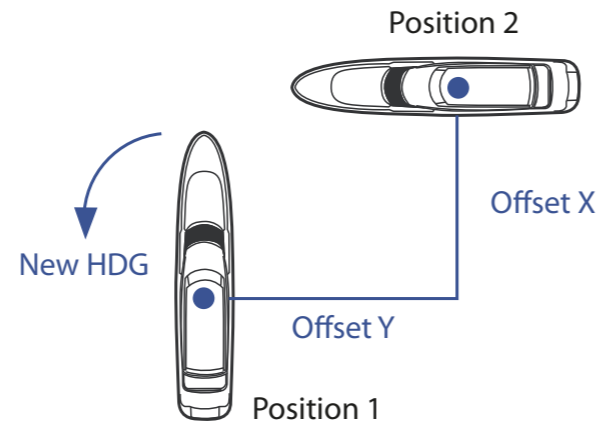
The System automatically searches and sets an optimal heading directed against disturbing force (wind and/or current) to minimize yawing by means of only stern propulsion.

Control modes



Joystick Speed

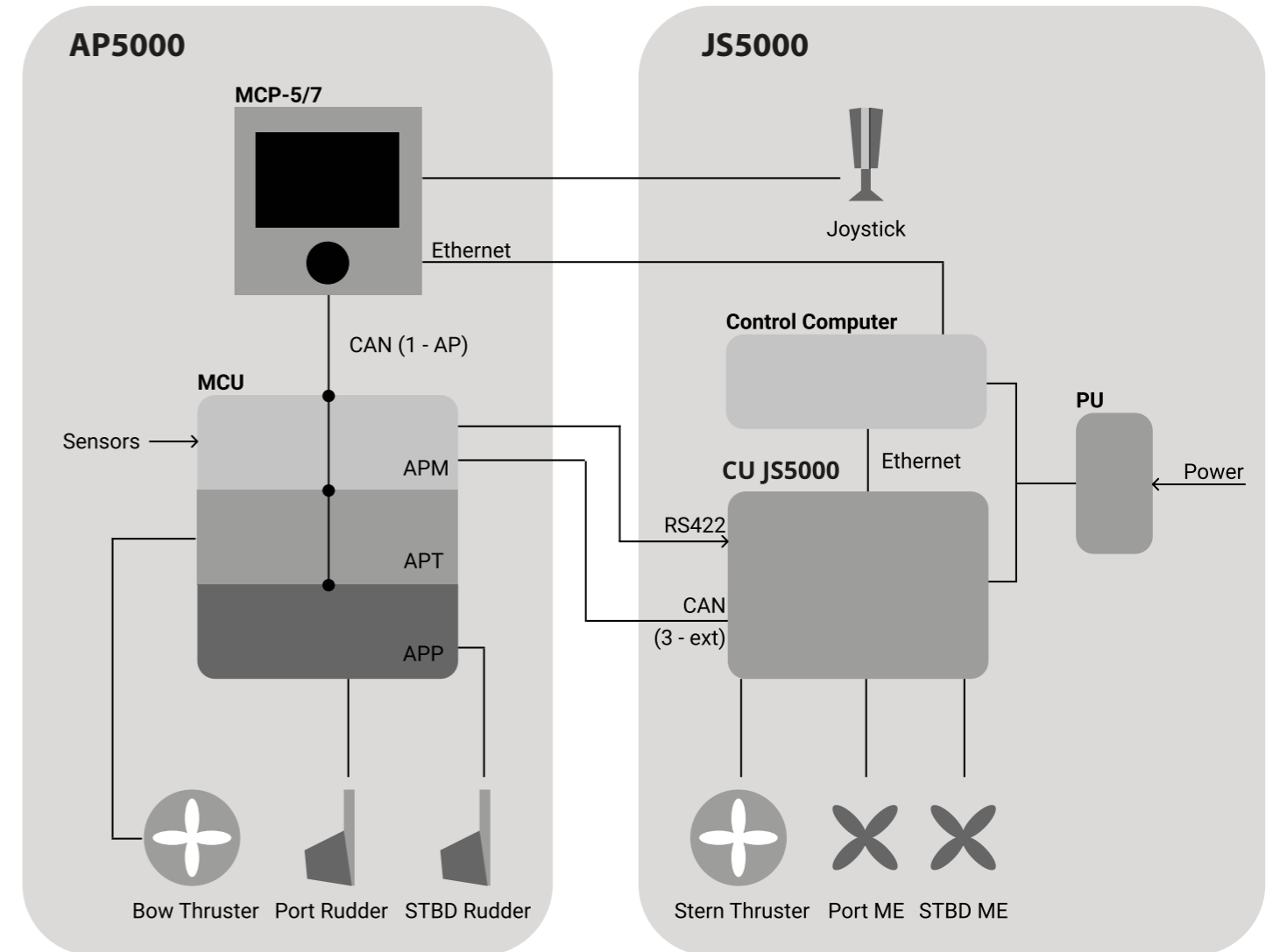
The joystick is used to set exact COG and SOG values while the heading is kept automatically.



Joystick Position (Option)

The System automatically keeps heading and position of the boat in a set point.

System configuration



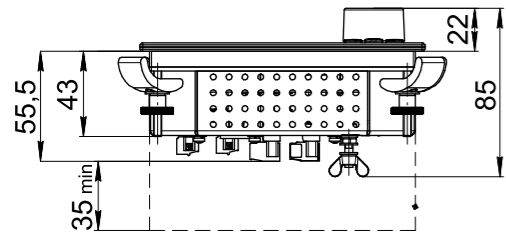
JS 5000 with integrated Autopilot

JS5000 configuration can be extended:

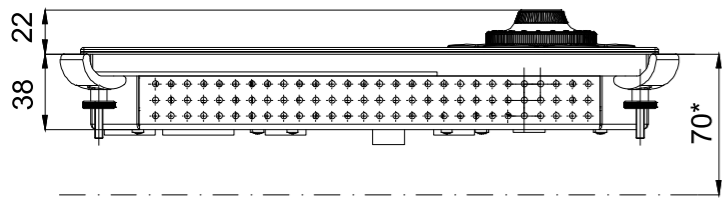
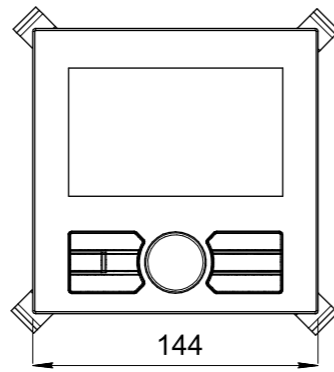
- Up to five joystick control stations (CAN bus connection)
- Portable control panel with 7" display and 3-axis joystick applicable for open deck installation.



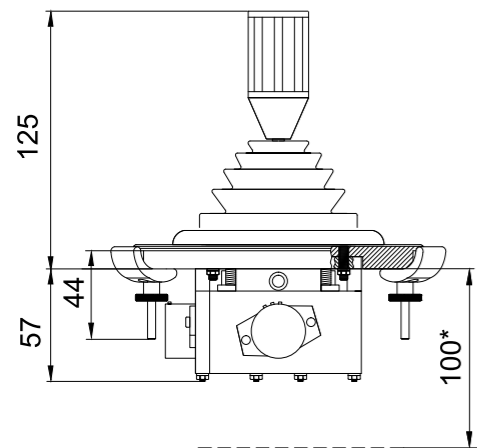
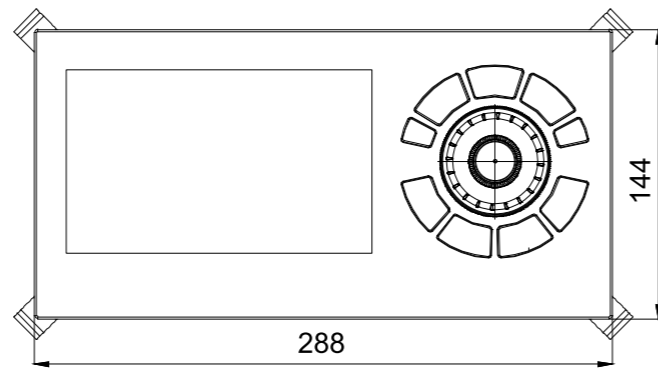
System configuration



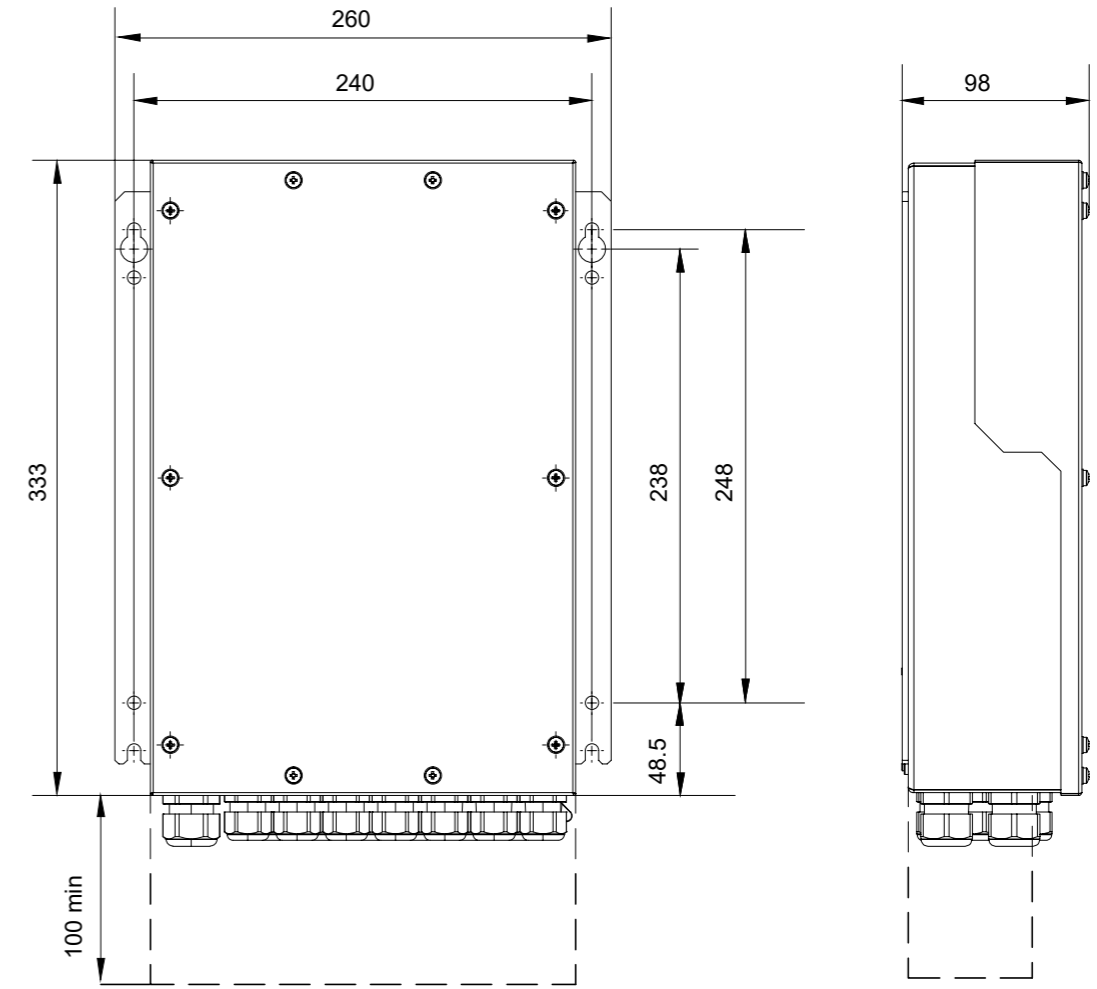
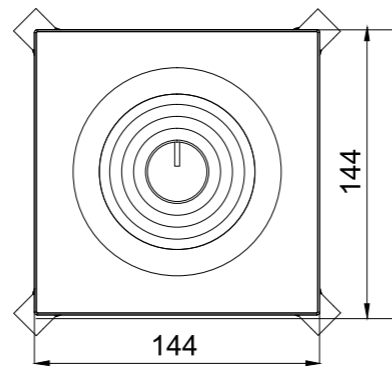
APH-5 Mass 1.0 kg, 10 W



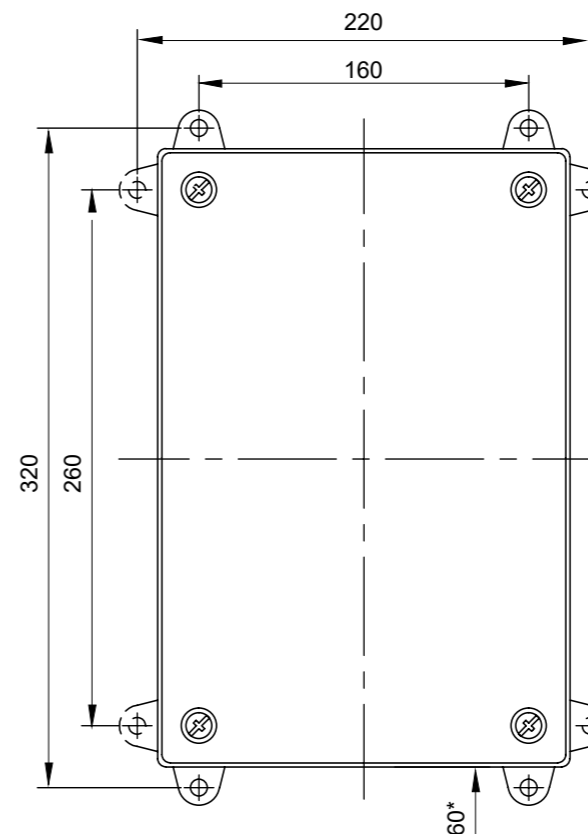
APH-7 Mass 1.8 kg, 15 W



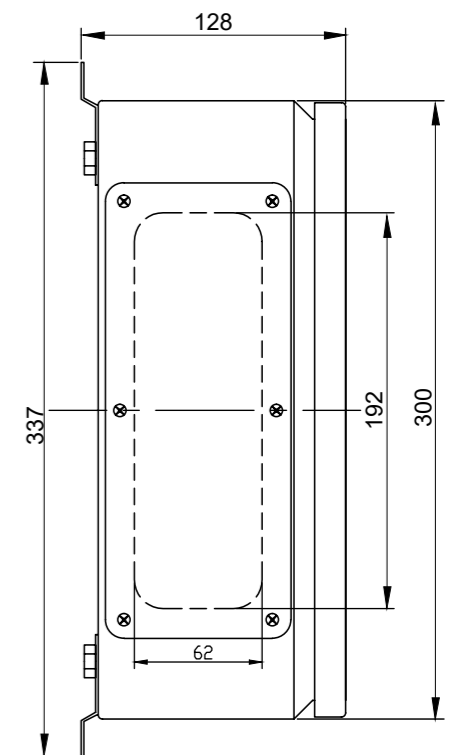
3-axis joystick



MCU/ACU, 10 W



PU 10W





«NAVIS» JSC
Phone: +7 812 322 67 15
Fax: +7 812 322 67 35
sales@navis.systems | navis.systems

